

SERIES  
**CLASSIC 1,5 - 3 kW**

ROTARY VANE COMPRESSORS



ERC  
ERCS





# SERIES CLASSIC



## About us

Ing. Enea Mattei SpA is an Italian company that has been producing air compressors since 1919. Over the years, the company has continually evolved and is today one of the world's foremost companies in the compressed air sector and the leader in the production of rotary vane compressors.

Behind the success of Mattei are the choices the company has made in terms of design, production and marketing, driven by the results of its continual and in-depth research and development programmes.

During these years of continual change, Mattei has been able to adapt to the requirements of the market and through the results of its research has created products that are always innovative and technologically advanced.



## Certified quality

Quality as an integral part of all company functions and constant improvement of all production processes so as to always guarantee the maximum level of reliability and satisfaction. This, in brief, is the value and the meaning of **Mattei's** operational philosophy. A way of approaching the market and customers that makes **Mattei** an absolute point of reference in the compressed air sector.

Since 1994, **Mattei** has been operating with a Quality System certified by the DNV Institute under UNI EN ISO 9001 regulations.





## **PERFECTLY ENGINEERED - PERFECTLY MATTEI**

### **Ideal for industrial use and 24 hour a day operation**

Mattei's new range of small industrial compressors is designed to satisfy compressed air demand in those applications where the operating characteristics and reliability needs are higher than those available from other compressors on the market.

#### **Direct coupling**

Mattei has always produced compressors in which the electric motor, which turns at a speed of only 1,500 rpm, is directly coupled to the compression unit by means of a flexible joint. This direct, in-line coupling results in considerable energy saving as there are no losses due to the presence of pulley wheels and drive belts.



#### **Compressor and dryer: all-in-one**

The ERCSE version includes the installation of a dryer, air cooled with environment-friendly gas. The combination of a Mattei's rotary vane air compressor, an integrated dryer and a tank is the ideal solution to have a complete system with very limited dimensions.

#### **Automatic flow rate control**

As well as the classic "ON/OFF OPERATION" mode, all of the models, are fitted with the special modulating proportional intake valve which allows air supply at a constant pressure and even offers the possibility of working without an air storage tank.

#### **Durable and quiet**

The Classic compressors are robust, resistant to corrosion and are particularly compact and ideal for installation in small spaces. The vane technology ensures safe and quiet operation even without a noise reducing outer canopy.





## Operating principle

Maximum efficiency of the air compression process, excellent reliability and low running costs; are just some of the key benefits that rotary vane technology can offer.

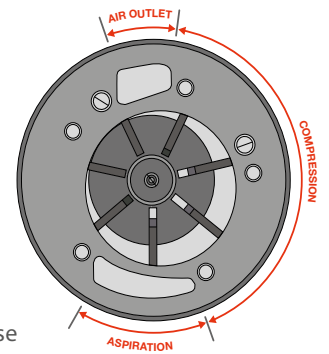
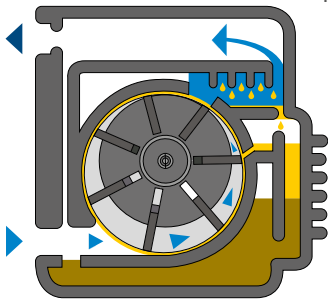
The vane compressor is a volumetric rotary compressor that consists of a stator cylinder in which a rotor is mounted off-centre but parallel to its sides.

The rotor has slots in which the vanes are free to slide: centrifugal force keeps them in contact with the sides of the stator during rotation. The rotary vane compressor, thanks to its **simple construction**, offers

remarkable advantages, first among them being **greater volume yield** because the vanes are in constant contact with the inner wall of the stator and form a perfectly airtight seal with no leaks along the wall thanks to a continuous film of

oil. In this type of compressor no axial thrust is generated so the side surfaces of the rotor are not subject to wear and thus no rotating bearings or thrust bearings are needed. The vanes, too, because of the special way they are made have practically **unlimited life**.

Behind the success of Mattei compressors there is thus **extreme reliability, long life, quiet operation and simplicity of maintenance**. Design is important too: compactness and clean lines, together with harmonious shapes, give Mattei compressors an image of robustness and ease of use.



## Features

- ▶ DIRECT COUPLING THROUGH FLEXIBLE JOINT
- ▶ OIL RADIATOR AND CENTRIFUGAL COOLING FAN
- ▶ AIR DELIVERY AUTOMATIC CONTROL WITH CONSTANT PRESSURE
- ▶ THERMO DYNAMICALLY BALANCED INLET AIR FLOW TO ENSURE MAXIMUM EFFICIENCY OF THE COMPRESSOR
- ▶ THERMOSTATIC VALVE ENSURES OPTIMUM OPERATING TEMPERATURE AND ENERGY EFFICIENCY

## Standard equipment

- ▶ STARTER WITH MAGNETOTHERMAL PROTECTION
- ▶ SAFETY THERMOSTAT FOR HIGH OIL TEMPERATURE
- ▶ ON BOARD MANOMETER
- ▶ VISUAL OIL LEVEL INDICATOR
- ▶ FIRST FILLING WITH "V-LIFE" OIL
- ▶ HIGH EFFICIENCY INTAKE FILTER
- ▶ AFTERCOOLER AND CONDENSATE DRAIN



# Technical data

## 50 Hz

Model	Tension	Air receiver	Power		Flow						Sound pressure level	Dimensions							
					8 bar 115 psig L		10 bar 150 psig H		13 bar 175 psig HH			Length		Width		Height		Weight	
V/f	I	kW	hp	m³/min	cfm	m³/min	cfm	m³/min	cfm	dB(A)	mm	inch	mm	inch	mm	inch	kg	lbs	
ERC 1	230/1	-	1,5	2	-	-	0,16	5,6	-	-	64	740	29,2	390	15,37	400	15,8	50	110
ERC 2	230/1	-	2,2	3	-	-	0,24	8,5	-	-	70	740	29,2	390	15,37	400	15,8	55	121
ERC 1	400/3	-	1,5	2	-	-	0,16	5,6	-	-	64	740	29,2	390	15,37	400	15,8	50	110
ERC 2	400/3	-	2,2	3	-	-	0,24	8,5	-	-	70	740	29,2	390	15,37	400	15,8	55	121
ERC 3	400/3	-	3	4	-	-	0,32	11,3	-	-	70	740	29,2	390	15,37	400	15,8	55	121
ERCS 1	230/1	90	1,5	2	-	-	0,16	5,6	-	-	64	1000	39,4	460	18,13	890	35,1	80	176
ERCS 2	230/1	90	2,2	3	-	-	0,24	8,5	-	-	70	1000	39,4	460	18,13	890	35,1	85	187
ERCS 1	400/3	90	1,5	2	-	-	0,16	5,6	-	-	64	1000	39,4	460	18,13	890	35,1	80	176
ERCS 2	400/3	90	2,2	3	-	-	0,24	8,5	-	-	70	1000	39,4	460	18,13	890	35,1	85	187
ERCS 3	400/3	90	3	4	-	-	0,32	11,3	-	-	70	1000	39,4	460	18,13	890	35,1	85	187
ERCS 1	230/1	200	1,5	2	-	-	0,16	5,6	-	-	64	1050	41,4	600	23,6	1080	42,6	125	275
ERCS 2	230/1	200	2,2	3	-	-	0,24	8,5	-	-	70	1050	41,4	600	23,6	1080	42,6	130	286
ERCS 1	400/3	200	1,5	2	-	-	0,16	5,6	-	-	64	1050	41,4	600	23,6	1080	42,6	125	275
ERCS 2	400/3	200	2,2	3	-	-	0,24	8,5	-	-	70	1050	41,4	600	23,6	1080	42,6	130	286
ERCS 3	400/3	200	3	4	-	-	0,32	11,3	-	-	70	1050	41,4	600	23,6	1080	42,6	130	286

## 60 Hz

Model	Tension	Air receiver	Power		Flow						Sound pressure level	Dimensions							
					8 bar 115 psig LX		10 bar 150 psig HX		13 bar 175 psig HHX			Length		Width		Height		Weight	
V/f	I	kW	hp	m³/min	cfm	m³/min	cfm	m³/min	cfm	dB(A)	mm	inch	mm	inch	mm	inch	kg	lbs	
ERC 1	230/1	-	1,5	2	-	-	0,14	5	-	-	66	740	29,2	390	15,37	400	15,8	50	110
ERC 2	230/1	-	2,2	3	-	-	0,19	7	-	-	66	740	29,2	390	15,37	400	15,8	55	121
ERC 1	460/3	-	1,5	2	-	-	0,14	5	-	-	66	740	29,2	390	15,37	400	15,8	50	110
ERC 2	460/3	-	2,2	3	-	-	0,19	7	-	-	66	740	29,2	390	15,37	400	15,8	55	121
ERCS 1	230/1	90	1,5	2	-	-	0,14	5	-	-	66	1000	39,4	460	18,13	890	35,1	80	176
ERCS 2	230/1	90	2,2	3	-	-	0,19	7	-	-	66	1000	39,4	460	18,13	890	35,1	85	187
ERCS 1	460/3	90	1,5	2	-	-	0,14	5	-	-	66	1000	39,4	460	18,13	890	35,1	80	176
ERCS 2	460/3	90	2,2	3	-	-	0,19	7	-	-	66	1000	39,4	460	18,13	890	35,1	85	187
ERCS 1	230/1	200	1,5	2	-	-	0,14	5	-	-	66	1050	41,4	600	23,6	1080	42,6	125	275
ERCS 2	230/1	200	2,2	3	-	-	0,19	7	-	-	66	1050	41,4	600	23,6	1080	42,6	130	286
ERCS 1	460/3	200	1,5	2	-	-	0,14	5	-	-	66	1050	41,4	600	23,6	1080	42,6	125	275
ERCS 2	460/3	200	2,2	3	-	-	0,19	7	-	-	66	1050	41,4	600	23,6	1080	42,6	130	286

F.A.D. in accordance with ISO 1217, annex "C" | Sound pressure level according to ISO 2151, tolerance ± 3dB(A) | Working pressure: 7,5 bar for version 8 bar - 9,5 bar for version 10 bar - 12,5 bar for version 13 bar

Model	VERSION
ERC	PRESSURE SWITCH KIT
ERCS	DELAY TIMER KIT





**ITALY - ING. ENEA MATTEI SpA**  
Strada Padana Superiore, 307  
20090 VIMODRONE (MI)  
Tel + 39 02253051 - Fax +39 0225305243  
E-mail: info@mattei.it

[www.matteigroup.com](http://www.matteigroup.com)

**FRANCE**

MATTEI COMPRESSEURS  
Phone +33 535 542 205 - Fax +33 972 316 833  
E-MAIL: infos@mattei.fr - www.mattei.fr

**GERMANY**

MATTEI KOMPRESSOREN DEUTSCHLAND GmbH  
Phone +49 7151 5002560 - Fax +49 7151 5002565  
E-MAIL: info@mattei-kompressoren.de - www.mattei-kompressoren.de

**GREAT BRITAIN**

MATTEI COMPRESSORS Ltd  
Phone +44 (0)1789 450577 - Fax +44 (0)1789 450698  
E-MAIL: info@mattei.co.uk - www.mattei.co.uk

**U.S.A.**

MATTEI COMPRESSORS Inc  
Phone +1 410 5217020 - Fax +1 410 5217024  
E-MAIL: info@matteicomp.com - www.matteicomp.com

**RUSSIAN FEDERATION**

ING. ENEA MATTEI SpA  
Phone +7 499 1124877  
E-MAIL: mattei-rus@mail.ru

**SPAIN**

ING. ENEA MATTEI SpA  
Phone +34 93 435 03 94 - Fax +34 93 455 26 76  
E-MAIL: info@mattei.it

**PEOPLE'S REPUBLIC OF CHINA**

Mattei (SuZhou) Air Compressors Manufacturing Co., Ltd  
WFOE by Ing. Enea Mattei SpA - Italy  
Tel: +86 512 66679986 Fax: +86 512 66679989  
E-MAIL: info@matteisuzhou.cn - www.matteisuzhou.com

**UNI EN ISO 9001:2015**